

Big Green Egg EGG^{Genius}

Set Up WiFi on Your Controller

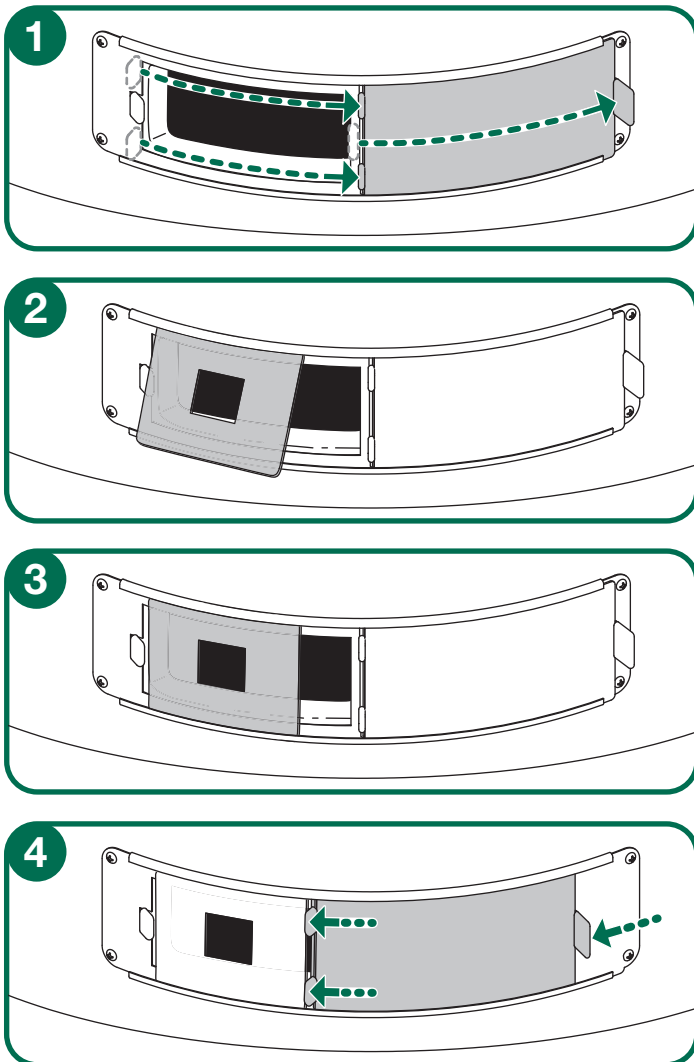
- Create an account using the EGG Genius mobile app. Login to your account. Power on your controller.
- Press Add New at the top of the Home or Devices tab on the mobile app and enter the serial number for your controller (found on the bottom of the blower).
- Follow the instructions in the app to complete WiFi set up and add your controller.

Important Safety Instructions – Save these instructions for future reference.

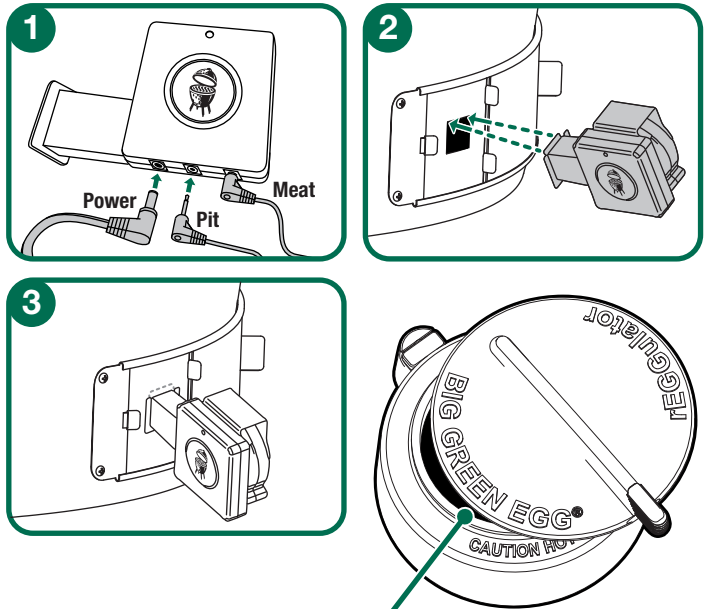
It is important for the safety of persons to follow these safety instructions. Follow all instructions, as incorrect installation and use can lead to injury or property damage.

- EGG Genius is intended for use only in dry, outdoor locations. When not in use, store the unit indoors in a dry location. If you know or suspect that the EGG Genius controller or power adapter has been submerged in water, do not use the unit.
- The 12 V DC power to the unit shall be supplied by a properly certified power adapter with SELV / LPS output. Use only the power adapter provided with the unit.
- Do not allow children to play with an EGG Genius. Keep away from children.
- EGG Genius is not to be used by persons with reduced physical, sensory, or mental capabilities, or lack of experience and knowledge.
- Do not place or mount an EGG Genius where it is exposed to excessive heat from the EGG.

EGG Genius Installation



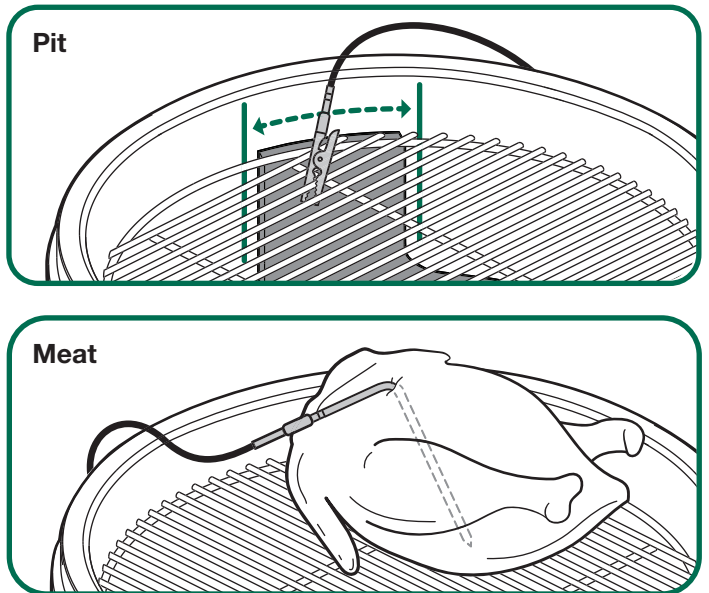
Controller Installation



Top Vent Almost Closed

IMPORTANT: Your EGG Genius controller works best for low temperature smoking if the top vent is adjusted to almost closed.

Probe Placement



Temperature Probe Care

- Do not place probes over a direct flame or high heat.
- EGG Genius temperature probes are designed for low and slow cooks under 400°F / 204°C in charcoal smokers and grills.
- Insert the meat probe into the thickest part of the meat avoiding any bone or gristle. Clip the pit probe to the food grate 1 to 2 inches from the meat.
- Make sure that the cables are placed over the leg of the convEGGtor and above the cooking grid in a spot where they are exposed only to indirect heat.
- Clean probes by wiping with a damp (not wet) sponge or with a disinfecting wipe.
- Probe cables should be coiled or wrapped loosely and stored free of kinks in a cool environment.
- If using the EGG Genius with a different type of grill or smoker, avoid pinching the cables between the lid and fire pit. Use an access hole, notch or padding.
- Don't pull on the cables; this can cause probe tips and clips to detach from the cable.
- Probes are not waterproof nor dishwasher safe. Do not submerge the probe cable in liquid.