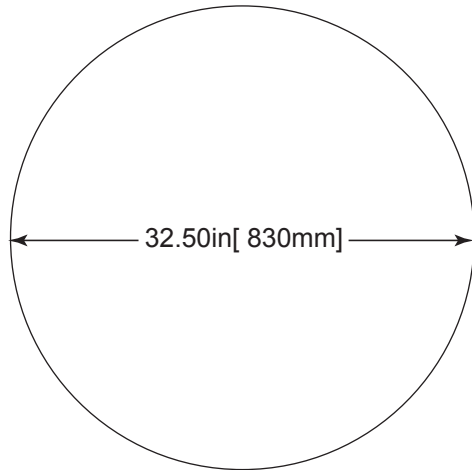
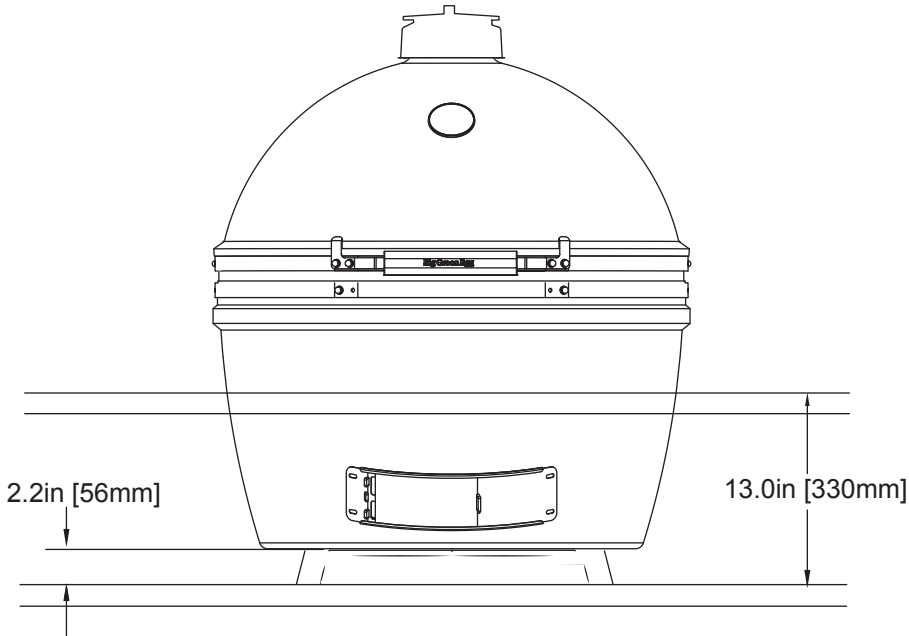


2XL EGG BUILT-IN SPECIFICATIONS



DIAMETER OF HOLE CUTOUT
(ensures small air gap between ceramics and surrounding surface)

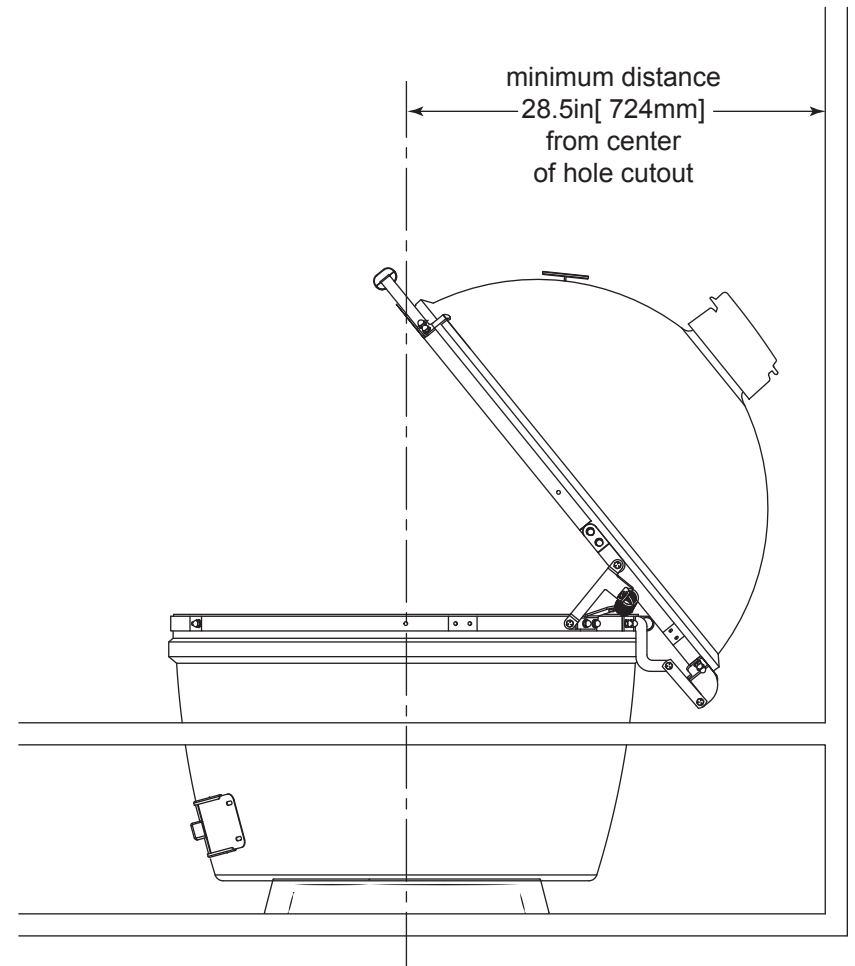
XXLv2 EGG weight: 425lbs [193kgs]



SHELF HEIGHT
Calculations based on EGG resting on Big Green Egg Table Nest

EGG must be installed in a non-combustible environment

Safety Tips link : www.biggreenegg.com/safety-tips/



REAR WALL DISTANCE FROM CENTER
provides enough clearance for dome when fully opened